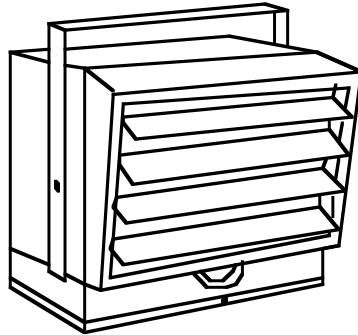


**HUH-524TA  
 HORIZONTAL/VERTICAL  
 UNIT HEATER**



<b>CAPACITIES</b>
1874 to 5000 Watts
208 or 240 V
1Ø only



FILE #21609

**HUH 524TA - HORIZONTAL/VERTICAL UNIT HEATER**

ITEM	QTY.	CAT. NO.	TAG	HEATER				CONTROL CKT. MOTOR VOLTS	MOTOR VOLT	AIR FLOW		NO. OF STAGES	BUILT-IN CONTROLS
				KW	VOLTS	Ø	AMPS			CFM	FAHRENHEIT RISE		

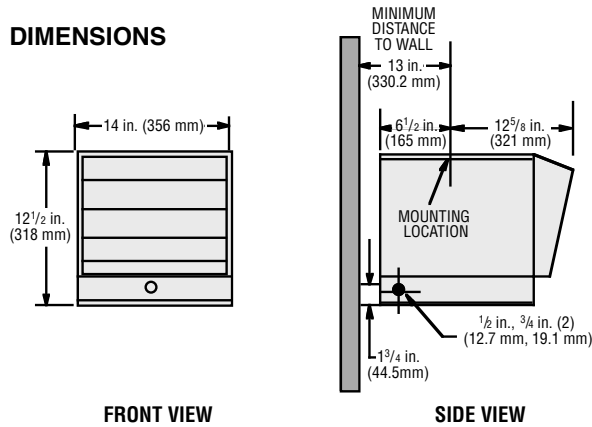
**ACCESSORIES  
 AND  
 CONTROLS**

ITEM	QTY.	CAT. NO.	TAG	DESCRIPTION

<b>SUBMITTED BY:</b>	<b>DATE</b>

<b>APPROVED BY:</b>	<b>DATE</b>

**DIMENSIONS**



**ARCHITECT'S AND ENGINEER SPECIFICATIONS\***

The electric unit heater(s) shall be as manufactured by Berko, A Marley Engineered Products Brand, Bennettsville, SC. Heater(s) shall be fully UL approved, designed for either wall or ceiling mounting without modification and operate at either 208 or 240 VAC and have field-adjustable capacity from 1.875 to 5 KW.

**HOUSING:** The cabinet shall be of heavy gauge steel, welded and phosphatized; then completely painted desert tan by a baked enamel painting process. Front and back panels shall be removable to gain full access to element, motor and fan area. Fan guard shall be painted to match heater for appearance and durability. Heater(s) shall be furnished with attached ceiling mounting bracket and shall be capability of full horizontal and vertical position. Heater(s) shall be so designed as to permit mounting within two inches of the ceiling in full horizontal mode.

**CONTROL BOX:** The control box, housing all heater wiring and controls, shall be located at the bottom of the heater and equipped with a swing down hinged cover to permit full access for installation and servicing without dismounting the heater.

**WIRING:** All heater and control wiring connections shall terminate in the control box. Proper wiring diagram shall be attached to the inside of the control box cover. 60° C wire may be used to bring entry wiring into compartment.

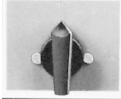
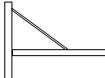
**FAN MOTOR:** Fan motor shall be totally enclosed, impedance protected and of unit bearing design suitable for horizontal or vertical operation with high starting and running torques. Fan motor and controls shall operate directly from the line voltage.

**HEATING ELEMENT:** The heating element shall be warranted for five years and shall be of non-glowing design consisting of a special resistance wire enclosed in the steel sheath to which steel plate fins are brazed. The heating element shall cover the entire air discharge area for uniform heating.

**THERMAL CUTOUT:** Thermal cutout shall be built into the system to automatically shut off heater in event of overheating and reactivate the heater when temperatures return to normal.

\* Berko reserves the right to change specifications without prior notice.

**CONTROLS AND ACCESSORIES**

	CATALOG NO.	DESCRIPTION
	<b>DS-30</b>	3-pole power disconnect switch for field installation on all heaters. Complies with "positive off" requirements.
	<b>WB-1A</b>	Wall mounting brackets for all units. (Ceiling mounting bracket is included with all heaters.)

**SELECTION CHART**

CATALOG NUMBER	VOLTS	WATTS	BTU PER HR.	PHASE	FAN MOTOR WATTS	CONTROL CIRCUIT & FAN MOTOR VOLTS	FAN MOTOR RPM	AIR VOLUS. CFM	THROW	MIN. MFG. HT.	HEATER AMPS	MIN. CKR. AMPS	WT. (LBS.)
<b>HUH-524TA</b>	208	1874	6396	1	8	208	1350	270	16'	6'	9.0	11.3	24
		2500	8553								12.0	15.0	
		3123	10659								15.0	18.5	
		3750	12799								18.0	22.5	
	240	2500	8533			240					10.4	13.0	
		3332	11365								13.9	17.4	
		4165	14215								17.4	21.8	
		5000	17065								20.9	26.1	